



L9219A/G Low-Cost Line Interface with Reverse Battery and Dual Current Limit

Features

- Basic forward/reverse battery SLIC functionality at a low cost
- Pin compatible with Legerity L9217 and L9218 SLICs
- Low active power (typical 138 mW during on-hook transmission)
- Low-power scan mode for low-power, on-hook power dissipation (52 mW typical)
- Distortion-free, on-hook transmission
- Convenient operating states:
 - Forward active-low current limit
 - Forward active-high current limit
 - Reverse active-low current limit
 - Reverse active-high current limit
 - Low-power scan
 - Disconnect (high impedance)
- Minimal external components required
- Two gain options to optimize the codec interface
- Adjustable supervision functions:
 - Off-hook detector with hysteresis
 - Ring trip detector
- Logic controlled high and low current limit
- Ramped rate of battery reversal
- Thermal protection with thermal shutdown indication

Description

This general-purpose electronic subscriber loop interface circuit (SLIC) is optimized for low cost, while still providing a satisfactory set of features. This part is a pin-for-pin replacement for the Legerity L9217 and L9218 SLICs.

The L9219 requires a 5 V power supply and single battery to operate. This device offers forward and reverse battery operation. The rate of battery reversal may be ramped to meet international requirements. Additionally, a low-power scan mode, wherein all circuitry except the off-hook supervision is shut down to conserve power, is available.

The dc current limit may be programmed via a single external resistor. Via the logic table, the current limit may be increased a nominal 42% above the value set by the I_{PROG} resistor, giving the user a high-low current limit option.

Device overhead is fixed and is adequate for 3.14 dBm into 900 Ω of on-hook transmission.

Both the loop supervision and ring trip supervision functions are offered with user-controlled thresholds via external resistors.

The L9219 is offered with a receive gain that is optimized for interface to a first-generation type codec (L9219A). It is also offered with a gain option that is optimized for interface to a third- or fourth-generation type codec (L9219G). In both cases, minimizing external components required at this interface.

Data control is via a parallel data control scheme.

The device is available in a 28-pin PLCC package. It is built by using a 90 V complementary bipolar (CBIC) process.

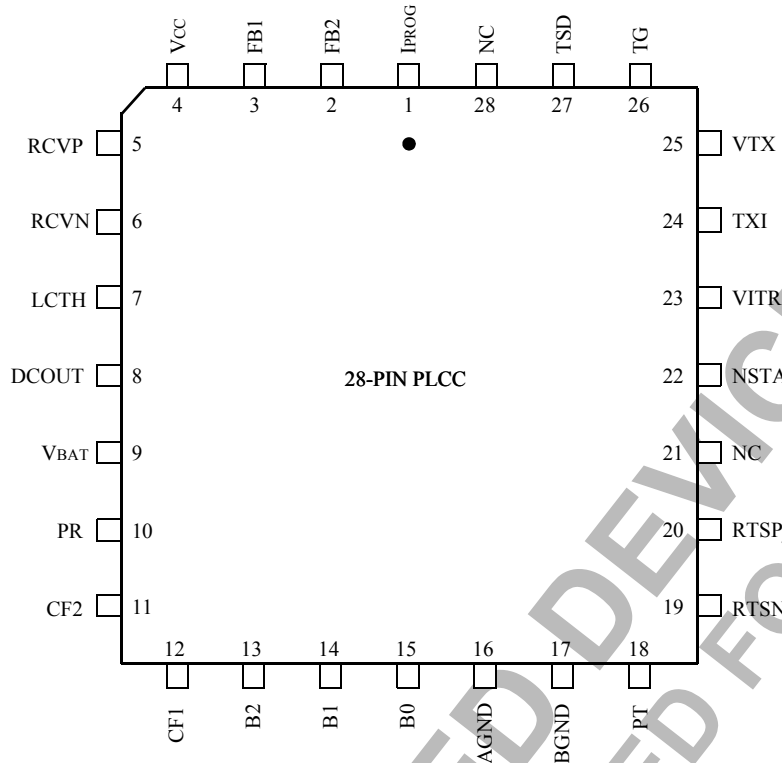
Table of Contents

Contents	Page
Features	1
Description	1
Pin Information	4
Functional Description	6
Absolute Maximum Ratings	7
Recommended Operating Conditions	7
Electrical Characteristics	8
Ring Trip Requirements	12
Test Configurations	13
Applications	15
dc Applications	19
Battery Feed	19
Current Limit	19
Overhead Voltage	19
Rate of Battery Reversal	19
Loop Range	20
Ring Trip Detection	20
Off-Hook Detection	20
Longitudinal Balance	21
ac Design	22
Codec Types	22
ac Interface Network	22
Receive Interface	22
Example 1: Real Termination (First-Generation Codec)	23
Example 2: Complex Termination (First-Generation Codec)	25
Power Derating	27
Pin-for-Pin Compatibility with L9217/18	27
PCB Layout Information	27
Outline Diagram	28
28-Pin PLCC	28
Ordering Information	29
Figures	Page
Figure 1. Functional Diagram	3
Figure 2. 28-Pin PLCC	4
Figure 3. Ring Trip Circuits	12
Figure 4. L9219 Basic Test Circuit	13
Figure 5. Metallic PSRR	13
Figure 6. Longitudinal PSRR	13
Figure 7. Longitudinal Balance	14
Figure 8. RFI Rejection	14
Figure 9. Longitudinal Impedance	14
Figure 10. ac Gains	14
Figure 11. Basic Loop Start Application Circuit Using T7504-Type Codec	15
Figure 12. Basic Loop Start Application Circuit Using T8536-Type Codec	17
Figure 13. Loop Current vs. Loop Voltage	19
Figure 14. Off-Hook Detection Circuit	20
Figure 15. Ring Trip Equivalent Circuit and Equivalent Application	20
Figure 16. ac Equivalent Circuit	23
Figure 17. Interface Circuit Using First-Generation Codec (± 5 V Battery)	26
Figure 18. Interface Circuit Using First-Generation Codec (5 V Only Codec)	26
Tables	Page
Table 1. Pin Descriptions	4
Table 2. Input State Coding	6
Table 3. Supervision Coding	6
Table 4. Power Supply	8
Table 5. 2-Wire Port	9
Table 6. Analog Pin Characteristics	10
Table 7. ac Feed Characteristics	11
Table 8. Logic Inputs and Outputs	12
Table 9. $200\ \Omega + 680\ \Omega \parallel 0.1\ \mu\text{F}$ First-Generation Codec Design Parameters	15
Table 10. Parts List for Loop Start Application Circuit Using T7504-Type Codec	16
Table 11. Parts List for Loop Start Application Circuit Using T8536-Type Codec	18
Table 12. FB1/FB2 Values vs. Typical Ramp Time	20

NOT RECOMMENDED FOR NEW DESIGNS

NOT RECOMMENDED FOR NEW DESIGNS

Pin Information



12-3558 (F)

Figure 2. 28-Pin PLCC

Table 1. Pin Descriptions

PLCC	Symbol	Type	Description
1	I _{PROG}	I	Current-Limit Program Input. A resistor to DCOUT sets the dc current limit of the device. The value of current limit set via this resistor may be increased via logic control (see state table for additional detail).
2	FB2	—	Polarity Reversal Slowdown. Connect a capacitor to ground to control the rate of battery reversal.
3	FB1	—	Polarity Reversal Slowdown. Connect a capacitor to ground to control the rate of battery reversal.
4	V _{CC}	—	5 V Power Supply.
5	RCVP	I	Receive ac Signal Input (Noninverting). This high-impedance input controls the ac differential voltage on tip and ring.
6	RCVN	I	Receive ac Signal Input (Inverting). This high-impedance input controls the ac differential voltage on tip and ring.

NOT RECOMMENDED FOR NEW DESIGNS

NOT RECOMMENDED FOR NEW DESIGNS

Pin Information (continued)

Table 1. Pin Descriptions (continued)

PLCC	Symbol	Type	Description
7	LCTH	I	Loop Closure Threshold Input. Connect a resistor to DCOUT to set off-hook threshold.
8	DCOUT	O	dc Output Voltage. This output is a voltage that is directly proportional to the absolute value of the differential tip/ring current.
9	V _{BAT}	—	Battery Supply. Negative high-voltage power supply.
10	PR	I/O	Protected Ring. The output of the ring driver amplifier and input to loop sensing circuitry. Connect to the loop through overvoltage protection.
11	CF2	—	Filter Capacitor 2. Connect a 0.1 μ F capacitor from this pin to AGND.
12	CF1	—	Filter Capacitor 1. Connect a 0.47 μ F capacitor from this pin to pin CF2.
13	B2	I	State Control Input. B0, B1, and B2 determine the state of the SLIC. See Table 2. Pin B2 has internal pull-down.
14	B1	I	State Control Input. B0, B1, and B2 determine the state of the SLIC. See Table 2. Pin B1 has internal pull-down.
15	B0	I	State Control Input. B0, B1, and B2 determine the state of the SLIC. See Table 2. Pin B0 has internal pull-down.
16	AGND	—	Analog Signal Ground.
17	BGND	—	Battery Ground. Ground return for the battery supply.
18	PT	I/O	Protected Tip. The output of the tip driver amplifier and input to loop sensing circuitry. Connect to loop through overvoltage protection.
19	RTSN	I	Ring Trip Sense Negative. Connect this pin to the ringing generator signal through a high-value resistor.
20	RTSP	I	Ring Trip Sense Positive. Connect this pin to the ring relay and the ringer series resistor through a high-value resistor.
21	NC	—	No Connect.
22	NSTAT	O	Ring Trip Detector Output/Loop Detector Output. When low, this logic output indicates that ringing is tripped or that an off-hook condition exists.
23	VITR	O	ac Output Voltage. The voltage at this point is directly proportional to the differential tip/ring current.
24	TXI	I	ac/dc Separation. Connect a 0.1 μ F capacitor from this point to VTX.
25	VTX	O	ac and dc Output Voltage. This output is a voltage that is directly proportional to the differential tip/ring current.
26	TG	—	Transmit Gain. Connect an 8.06 k Ω from TG to VTX to set the transmit gain of the SLIC.
27	TSD	O	Thermal Shutdown. When high, this logic output indicates the device is in thermal shutdown.
28	NC	—	No Connect.

NOT RECOMMENDED FOR NEW DESIGNS NOT RECOMMENDED FOR NEW DESIGNS

NOT RECOMMENDED FOR NEW DESIGNS NOT RECOMMENDED FOR NEW DESIGNS

Functional Description

Table 2. Input State Coding

B0	B1	B2	State/Definition
1	1	1	Powerup, Forward Battery. Normal talk and battery feed state. Pin PT is positive with respect to PR. On-hook transmission is enabled. Current limit is set per R _{PROG} resistor.
1	0	1	Powerup, Reverse Battery. Normal talk and battery feed state. Pin PT is negative with respect to PR. On-hook transmission is enabled. Current limit is set per R _{PROG} resistor.
1	1	0	Powerup, Forward Battery, High Current Limit. Normal talk and battery feed state. Pin PT is positive with respect to PR. On-hook transmission is enabled. Current limit is a nominal 1.4 times higher than setting per R _{PROG} resistor.
1	0	0	Powerup, Reverse Battery, High Current Limit. Normal talk and battery feed state. Pin PT is negative with respect to PR. On-hook transmission is enabled. Current limit is a nominal 1.4 times higher than setting per R _{PROG} resistor.
0	1	1	Low-Power Scan. Except for off-hook detection, all circuits are shut down to conserve power. Pin PT is positive with respect to pin PR. On-hook transmission is disabled.
0	0	1	Disconnect. The tip and ring amplifiers are turned off, and the SLIC goes to a high-impedance state (>100 kΩ). Supervision outputs read on hook. Device will power up in this state.
0	0	0	Disconnect. The tip and ring amplifiers are turned off, and the SLIC goes to a high-impedance state (>100 kΩ). Supervision outputs read on hook. Device will power up in this state.
0	1	0	Low-Power Scan. Except for off-hook suppression, all circuits are shut down to conserve power. Pin PT is positive with respect to pin PR. On-hook transmission is disabled.

Table 3. Supervision Coding

NSTAT	TSD
0 = off-hook or ring trip. 1 = on-hook and no ring trip.	0 = Normal device operation. 1 = Device is in thermal shutdown.

NOT RECOMMENDED FOR NEW DESIGNS

NOT RECOMMENDED FOR NEW DESIGNS

Absolute Maximum Ratings (at $T_A = 25\text{ }^\circ\text{C}$)

Stresses in excess of the absolute maximum ratings can cause permanent damage to the device. These are absolute stress ratings only. Functional operation of the device is not implied at these or any other conditions in excess of those given in the operational sections of the data sheet. Exposure to absolute maximum ratings for extended periods can adversely affect device reliability.

Parameter	Symbol	Min	Typ	Max	Unit
5 V Power Supply	V_{CC}	—	—	7.0	V
Battery (Talking) Supply	V_{BAT}	—	—	-75	V
Logic Input Voltage	—	-0.5	—	7.0	V
Analog Input Voltage	—	-7.0	—	7.0	V
Maximum Junction Temperature	T_J	150	—	—	$^\circ\text{C}$
Storage Temperature Range	T_{stg}	-40	—	125	$^\circ\text{C}$
Relative Humidity Range	RH	5	—	95	%
Ground Potential Difference (BGND to AGND)	—	—	± 3	—	V
PT or PR Fault Voltage (dc)	V_{PT}, V_{PR}	$V_{BAT} - 5$	—	3	V
PT or PR Fault Voltage (10 x 1000 μs)	V_{PT}, V_{PR}	$V_{BAT} - 15$	—	15	V
Current into Ring Trip Inputs	I_{RTSP}, I_{RTSN}	—	± 240	—	μA

Note: The IC can be damaged unless all ground connections are applied before, and removed after, all other connections. Furthermore, when powering the device, the user must guarantee that no external potential creates a voltage on any pin of the device that exceeds the device ratings. Some of the known examples of conditions that cause such potentials during powerup are the following:

1. An inductor connected to tip and ring can force an overvoltage on V_{BAT} through the protection devices if the V_{BAT} connection chatters.
2. Inductance in the V_{BAT} lead could resonate with the V_{BAT} filter capacitor to cause a destructive overvoltage.

Recommended Operating Conditions

Parameter	Min	Typ	Max	Unit
Ambient Temperature	-40	—	85	$^\circ\text{C}$
V_{CC} Supply Voltage	4.75	5.0	5.25	V
V_{BAT} Supply Voltage	-24	-48	-70	V

Electrical Characteristics

Minimum and maximum values are testing requirements in the temperature range of 25 °C to 85 °C and battery range of –24 V to –70 V. These minimum and maximum values are guaranteed to –40 °C based on component simulations and design verification of samples, but devices are not tested to –40 °C in production. The test circuit shown in Figure 4 is used, unless otherwise noted. Positive currents flow into the device.

Typical values are characteristics of the device design at 25 °C based on engineering evaluations and are not part of the test requirements. Supply values used for typical characterization are $V_{CC} = 5.0\text{ V}$, $V_{BAT} = -48\text{ V}$, unless otherwise noted.

Table 4. Power Supply

Parameter	Min	Typ	Max	Unit
Power Supply—Powerup, No Loop Current:				
I_{CC}	—	4.6	5.6	mA
I_{BAT} ($V_{BAT} = -48\text{ V}$)	—	-2.4	-2.7	mA
Power Dissipation ($V_{BAT} = -48\text{ V}$)	—	138	158	mW
Power Supply—Scan, No Loop Current:				
I_{CC}	—	2.8	3.8	mA
I_{BAT} ($V_{BAT} = -48\text{ V}$)	—	-0.8	-1.0	mA
Power Dissipation ($V_{BAT} = -48\text{ V}$)	—	52	67	mW
Power Supply—Disconnect, No Loop Current:				
I_{CC}	—	1.6	—	mA
I_{BAT} ($V_{BAT} = -48\text{ V}$)	—	-0.12	—	mA
Power Dissipation ($V_{BAT} = -48\text{ V}$)	—	14	—	mW
Power Supply Rejection 500 Hz to 3 kHz (See Figure 5 and Figure 6) ¹ :				
V_{CC}	30	—	—	dB
V_{BAT}	40	—	—	dB
Thermal Protection Shutdown (T_{jc}) ³	150	165	—	°C
Thermal Resistance, Junction to Ambient (θ_{JA}) ^{2, 3} :				
Natural Convection 2S2P Board	—	30	—	°C/W
Natural Convection 2S0P Board	—	43	—	°C/W
Wind Tunnel 100 Linear Feet per Minute (LFPM) 2S2P Board	—	27	—	°C/W
Wind Tunnel 100 Linear Feet per Minute (LFPM) 2S0P Board	—	36	—	°C/W

1. This parameter is not tested in production. It is guaranteed by design and device characterization.
2. Careful thermal design as a function of maximum battery, loop length, maximum ambient temperature package thermal resistance, airflow, PCB board layers, and other related parameters must ensure that thermal shutdown temperature is not exceeded under normal use conditions.
3. Airflow, PCB board layers, and other factors can greatly affect this parameter.

Electrical Characteristics (continued)

Table 5. 2-Wire Port

Parameter	Min	Typ	Max	Unit
Tip or Ring Drive Current = dc + Longitudinal + Signal Currents	80	—	—	mA
Signal Current	15	—	—	mArms
Longitudinal Current Capability per Wire ¹	8.5	15	—	mArms
dc Loop Current Limit ² : Allowed Range Including Tolerance ³ Accuracy ($R_{LOOP} = 100 \Omega$, $V_{BAT} = -48 V$)	15 —	— ± 5	45 —	mA %
Powerup Open Loop Voltage Levels: Common-mode Voltage	—	$V_{BAT}/2$	—	V
Differential Voltage $V_{BAT} = -48 V^4$ (Gain = 2)	$ V_{BAT} + 7.5 $	$ V_{BAT} + 6.5 $	$ V_{BAT} + 5.9 $	V
Differential Voltage $V_{BAT} = -48 V^4$ (Gain = 7.86)	$ V_{BAT} + 8.0 $	$ V_{BAT} + 6.5 $	$ V_{BAT} + 5.9 $	V
Disconnect State: Leakage	—	10	150	μA
dc Feed Resistance (for I_{LOOP} below regulation level) (does not include protection resistor)	—	70	100	Ω
Loop Resistance Range (-3.17 dBm overload into 900Ω ; not including protection): $I_{LOOP} = 20$ mA at $V_{BAT} = -48 V$	1800	—	—	Ω
Longitudinal to Metallic Balance— <i>IEEE</i> [®] Std. 455 (See Figure 7) ⁵ : 200 Hz to 3400 Hz	58	61	—	dB
Metallic to Longitudinal Balance (open loop): 200 Hz to 4 kHz	40	—	—	dB
RFI Rejection (See Figure 8) ³ , $0.5 V_{rms}$, 50Ω Source, 30% AM Mod 1 kHz: 500 kHz to 100 MHz	— —	— -55	— -45	— dBV

1. The longitudinal current is independent of dc loop current.
2. Current-limit I_{LIM} is programmed by a resistor, R_{PROG} , from pin I_{PROG} to $DCOUT$. I_{LIM} is specified at the loop resistance where current limiting begins (see Figure 13).
3. This parameter is not tested in production. It is guaranteed by design and device characterization.
4. Specification is reduced to $|V_{BAT1} + 10.5 V|$ minimum when $V_{BAT1} = -70 V$ at $85^\circ C$.
5. Longitudinal balance of circuit card will depend on loop series protection resistor matching and magnitude. More information is available in the Applications section of this document.

NOT RECOMMENDED FOR NEW DESIGNS

NOT RECOMMENDED FOR NEW DESIGNS

Electrical Characteristics (continued)

Table 6. Analog Pin Characteristics

Parameter	Min	Typ	Max	Unit
Differential PT/PR Current Sense (DCOUT): Gain (PT/PR to DCOUT) Offset Voltage at I _{LOOP} = 0	121 -100	125 —	129 100	V/A mV
Loop Closure Detector Threshold (RLCTH = 22.1 kΩ) ¹ : On-hook to Off-hook Threshold (scan mode) Off-hook to On-hook Threshold (active mode)	8.8 6.0	— —	13.6 10.2	mA mA
Ring Trip Comparator: Input Offset Voltage ² Internal Voltage Source Current at Input RTSP ³	— -9.1 I _N - 0.5	±10 -8.6 I _N	— -8.1 I _N + 0.6	mV V μA
RCVN, RCVP: Input Bias Current Input Resistance	— —	-0.2 1	-1 —	μA MΩ

1. Loop closure threshold is programmed by resistor RLCTH from pin LCTH to pin DCOUT.
2. This parameter is not tested in production. It is guaranteed by design and device characterization.
3. I_N is the sourcing current at RTSN. Guaranteed if I_N is within 5 μA to 30 μA.

NOT RECOMMENDED FOR NEW DESIGNS

NOT RECOMMENDED FOR NEW DESIGNS

DISCONTINUED DEVICE
NOT RECOMMENDED FOR
NEW DESIGNS

Electrical Characteristics (continued)

Table 7. ac Feed Characteristics

Parameter	Min	Typ	Max	Unit
ac Termination Impedance ¹	150	—	1300	Ω
Longitudinal Impedance at PT/PR ²	—	0	—	Ω
Total Harmonic Distortion—200 Hz to 4 kHz ² :				
Off-hook	—	—	0.3	%
On-hook	—	—	1.0	%
Transmit Gain, f = 1 kHz (PT/PR to VITR) (current limit)	-391	-403	-415	V/A
L9219A, Open Loop:				
Receive + Gain, f = 1 kHz (RCVP to PT/PR) ³	7.62	7.86	8.09	—
Receive - Gain, f = 1 kHz (RCVN to PT/PR) ³	-7.62	-7.86	-8.09	—
L9219G, Open Loop:				
Receive + Gain, f = 1 kHz (RCVP to PT/PR) ⁴	1.94	2.00	2.06	—
Receive - Gain, f = 1 kHz (RCVN to PT/PR) ⁴	-1.94	-2.00	-2.06	—
Gain vs. Frequency (transmit and receive) (600 Ω termination; reference 1 kHz ²):				
200 Hz to 300 Hz	-1.00	0.0	0.05	dB
300 Hz to 3.4 kHz	-0.3	0.0	0.05	dB
3.4 kHz to 16 kHz	-3.0	-0.1	0.3	dB
16 kHz to 266 kHz	—	—	2.5	dB
Gain vs. Level (transmit and receive)(reference 0 dBV ²): -55 dB to +3 dB	-0.05	0	0.05	dB
2-wire Idle-channel Noise (600 Ω termination):				
Psophometric ²	—	-87	-77	dBmp
C-message	—	2	12	dBrnC
3 kHz Flat ²	—	10	20	dBrn
Transmit Idle-channel Noise:				
Psophometric ²	—	-82	-77	dBmp
C-message	—	7	12	dBrnC
3 kHz Flat ²	—	15	20	dBrn

1. With a first-generation codec, this parameter is set by external components. Any complex impedance $R1 + R2 \parallel C$ between 150 Ω and 1300 Ω can be synthesized. With a third-generation codec, this parameter is set by a codec or by a combination of a codec and an external network.
2. This parameter is not tested in production. It is guaranteed by design and device characterization.
3. Use this gain option with a first-generation or third-generation codec.
4. Use this gain option with an Legerity third-generation codec.

NOT RECOMMENDED FOR NEW DESIGNS

NOT RECOMMENDED FOR NEW DESIGNS

Electrical Characteristics (continued)

Table 8. Logic Inputs and Outputs

All outputs are open collectors with internal, 30 kΩ pull-down resistor. Input pins have internal pull-down or some method to power up in the disconnect state.

Parameter	Symbol	Min	Typ	Max	Unit
Input Voltages:					
Low Level (permissible range)	V_{IL}	-0.5	0.4	0.7	V
High Level (permissible range)	V_{IH}	2.0	2.4	V_{CC}	V
Input Currents:					
Low Level ($V_{CC} = 5.25$ V, $V_I = 0.4$ V)	I_{IL}	0	+4	+10	μ A
High Level ($V_{CC} = 5.25$ V, $V_I = 2.4$ V)	I_{IH}	+10	+24	+50	μ A
Output Voltages (open collector with internal pull-up resistor):					
Low Level ($V_{CC} = 4.75$ V, $I_{OL} = 200$ μ A)	V_{OL}	0	0.2	0.4	V
High Level ($V_{CC} = 4.75$ V, $I_{OH} = -20$ μ A)	V_{OH}	2.4	—	V_{CC}	V

Ring Trip Requirements

- Ringing signal:
 - Voltage, minimum 35 Vrms, maximum 100 Vrms.
 - Frequency, 17 Hz to 33 Hz.
 - Crest factor, 1.2 to 1.6.
- Ring trip:
 - ≤ 100 ms (typical).
- Pretrip:
 - The circuits in Figure 3 will not cause ring trip.

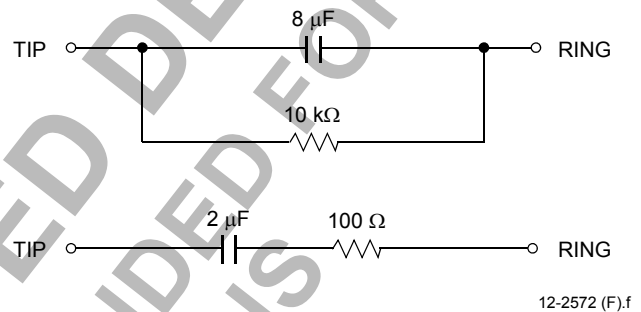


Figure 3. Ring Trip Circuits

12-2572 (F),f

NOT RECOMMENDED FOR NEW DESIGNS

NOT RECOMMENDED FOR NEW DESIGNS

Test Configurations

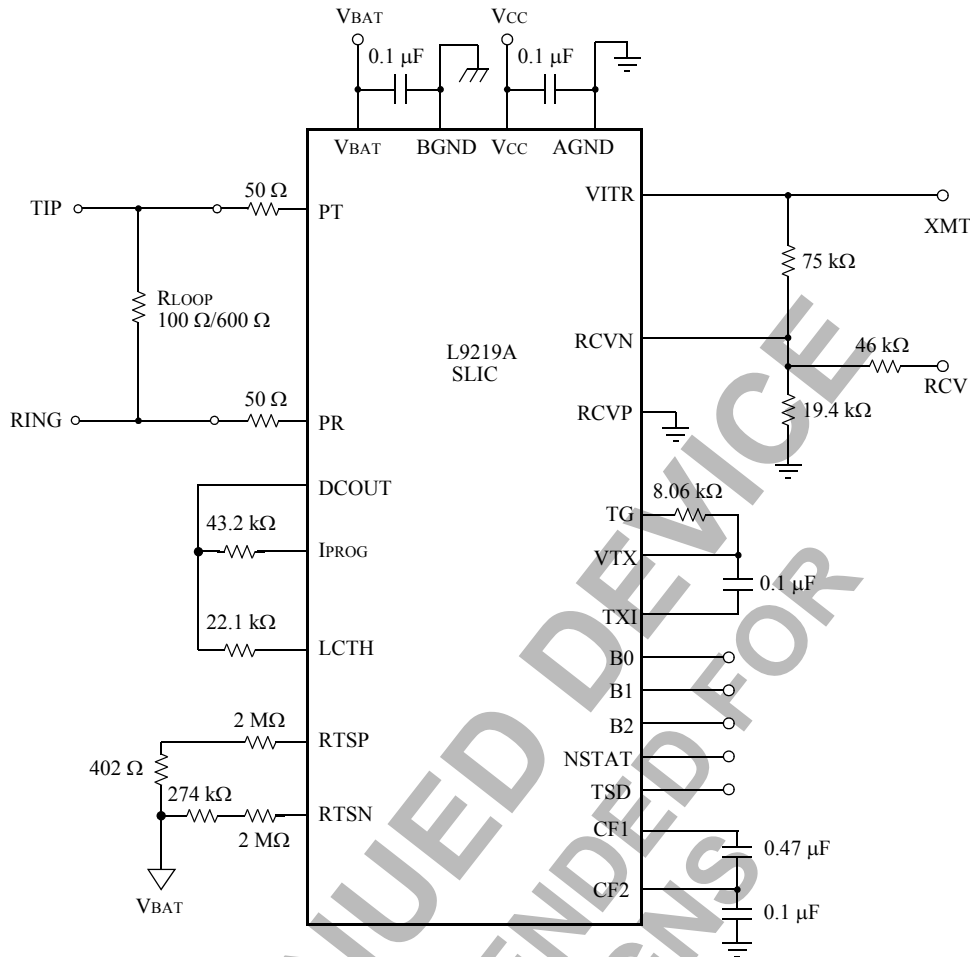


Figure 4. L9219 Basic Test Circuit

12-3559C (F)

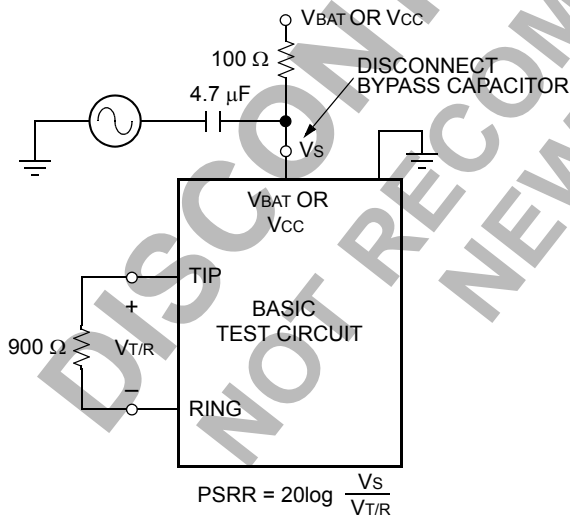


Figure 5. Metallic PSRR

12-2582 (F).b

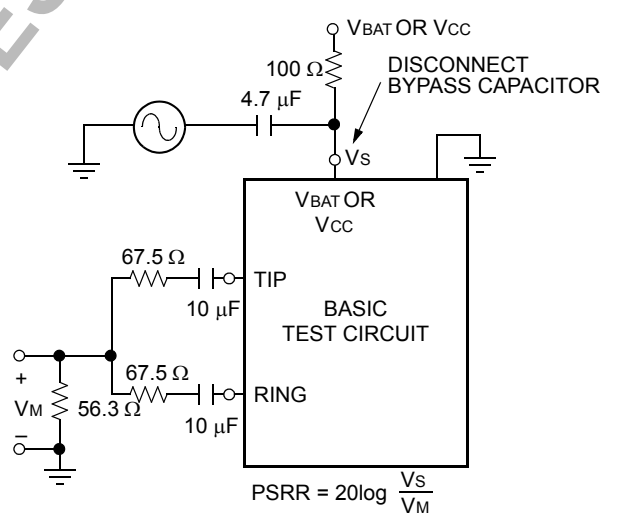


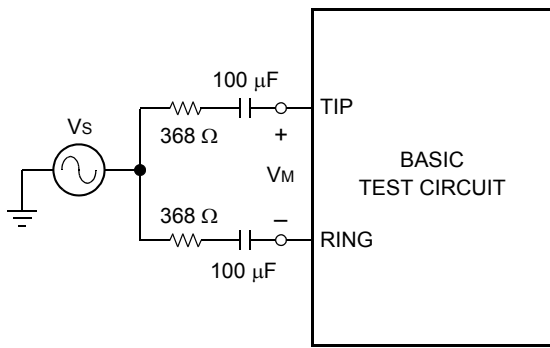
Figure 6. Longitudinal PSRR

12-2583 (F).b

NOT RECOMMENDED FOR NEW DESIGNS NOT RECOMMENDED FOR NEW DESIGNS

NOT RECOMMENDED FOR NEW DESIGNS NOT RECOMMENDED FOR NEW DESIGNS

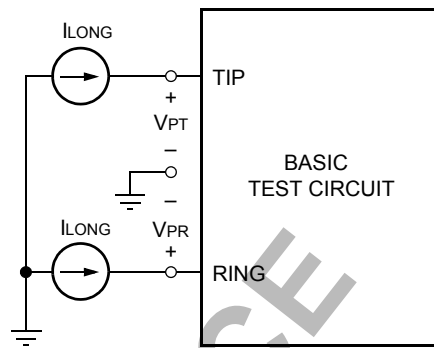
Test Configurations (continued)



$$\text{LONGITUDINAL BALANCE} = 20 \log \frac{V_s}{V_M}$$

12-2584 (F).c

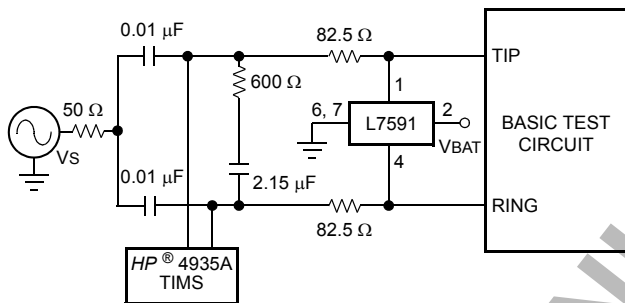
Figure 7. Longitudinal Balance



$$Z_{\text{LONG}} = \frac{\Delta V_{PT}}{\Delta I_{\text{LONG}}} \text{ OR } \frac{\Delta V_{PR}}{\Delta I_{\text{LONG}}}$$

12-2585 (F).a

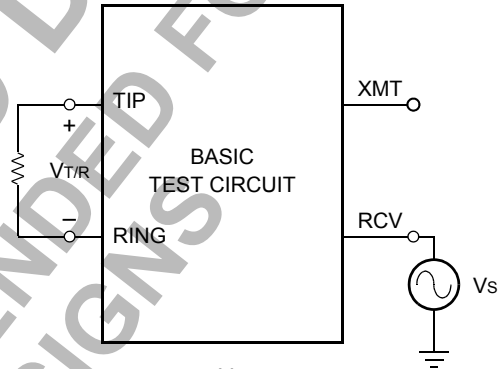
Figure 9. Longitudinal Impedance



5-6756 (F).b

$V_s = 0.5 \text{ V}_{\text{rms}}$ 30% AM 1 kHz modulation,
 $f = 500 \text{ kHz} - 1 \text{ MHz}$
device in powerup mode, 600 Ω termination.

Figure 8. RFI Rejection



$$G_{\text{XMT}} = \frac{V_{\text{XMT}}}{V_{\text{T/R}}}$$

$$G_{\text{RCV}} = \frac{V_{\text{T/R}}}{V_{\text{RCV}}}$$

12-2587 (F).e

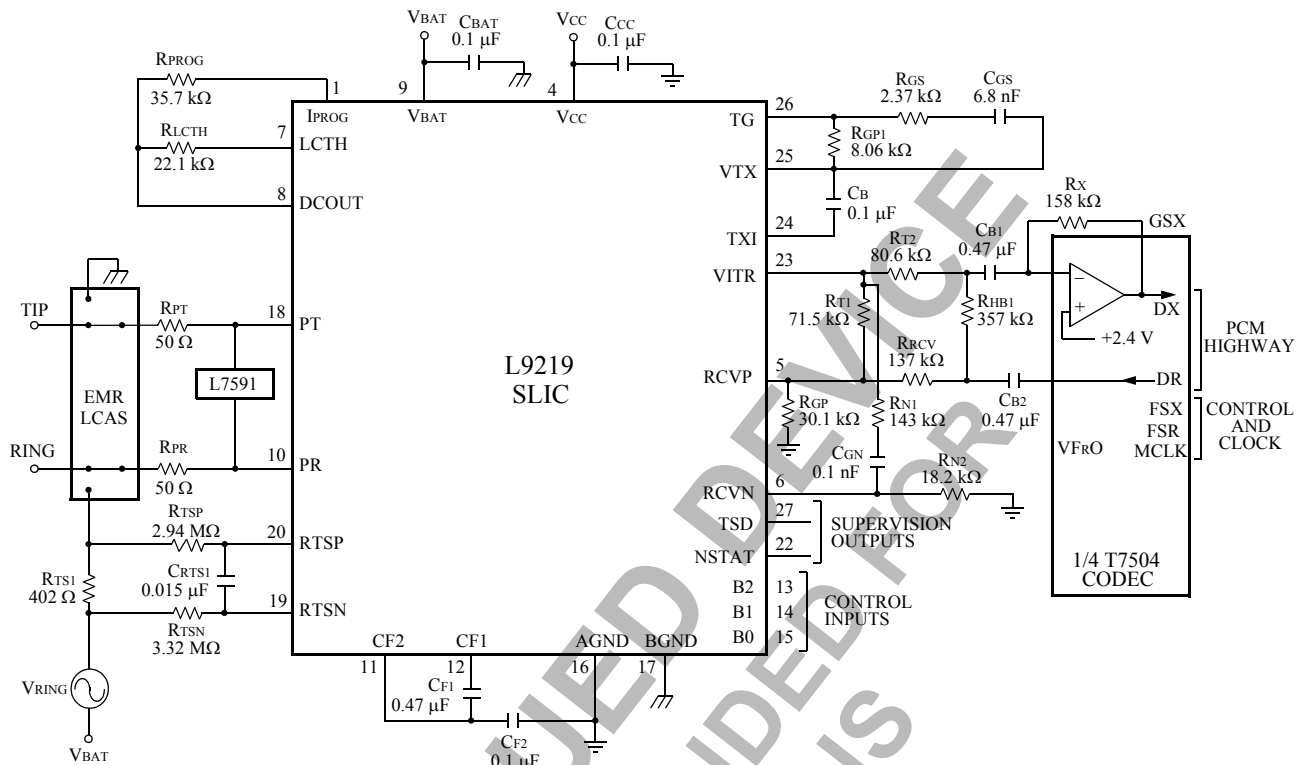
Figure 10. ac Gains

NOT RECOMMENDED FOR NEW DESIGNS

NOT RECOMMENDED FOR NEW DESIGNS

Applications

A basic loop start reference circuit, using bused ringing with the L9219 SLIC and the T7504 first-generation codec, is shown in Figure 11. This circuit is designed for a $200\ \Omega + 680\ \Omega \parallel 0.1\ \mu\text{F}$ complex termination impedance and transhybrid. Transmit gain is set at 0 dBm and receive gain is set at $-7\ \text{dBm}$.



12-3560 (F).g

Figure 11. Basic Loop Start Application Circuit Using T7504-Type Codec

Table 9 shows the design parameters of the application circuit shown in Figure 11. Components that are adjusted to program these values are also shown.

Table 9. $200\ \Omega + 680\ \Omega \parallel 0.1\ \mu\text{F}$ First-Generation Codec Design Parameters

Design Parameter	Parameter Value	Components Adjusted
Loop Closure Threshold	10 mA	RLCTH
dc Loop Current Limit	25 mA	RPROG
2-wire Signal Overload Level	3.14 dBm	—
ac Termination Impedance	$200\ \Omega + 680\ \Omega \parallel 0.1\ \mu\text{F}$	RT1, RGP, RRCV, RGP1, RGS, CGS
Hybrid Balance Line Impedance	$200\ \Omega + 680\ \Omega \parallel 0.1\ \mu\text{F}$	RHB1
Transmit Gain	0 dBm	RT2, Rx, RN1, RN2, CN
Receive Gain	$-7\ \text{dBm}$	RRCV, RGP, RT1

Applications (continued)

Table 10. Parts List for Loop Start Application Circuit Using T7504-Type Codec

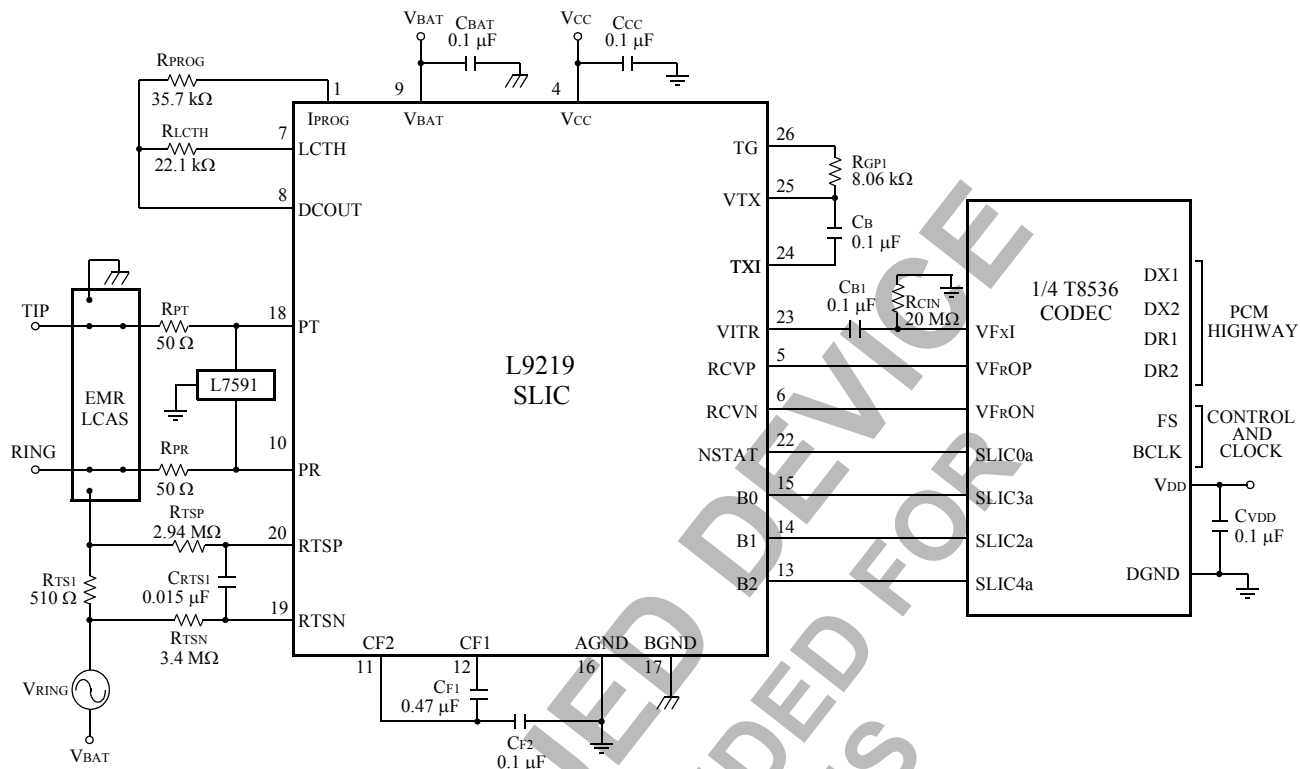
Name	Value	Function
Integrated Circuits		
SLIC	L9219	Subscriber loop interface circuit (SLIC).
Protector	Legerity L7591	Secondary protection.
Ringing Relay	Legerity L7581/2/3 or EMR	Switches ringing signals.
Codec	T7504	First-generation codec.
Overtoltage Protection		
RPT	50 Ω , Fusible	Protection resistor.
RPR	50 Ω , Fusible	Protection resistor.
Power Supply		
CBAT1	0.1 μ F, 20%, 100 V	V _{BAT} filter capacitor.
CCC	0.1 μ F, 20%, 10 V	V _{CC} filter capacitor.
CF1	0.47 μ F, 20%, 100 V	With CF ₂ , improves idle-channel noise.
CF2	0.1 μ F, 20%, 100 V	With CF ₁ , improves idle-channel noise.
dc Characteristics		
RPROG	35.7 k Ω , 1%, 1/16 W	Set low current limit.
ac Characteristics		
CB1	0.47 μ F, 20%, 10 V	ac/dc separation capacitor.
CB2	0.47 μ F, 20%, 10 V	ac/dc separation capacitor.
CB	0.1 μ F, 20%, 10 V	dc blocking capacitor.
RT1	71.5 k Ω , 1%, 1/16 W	With R _{GP} and R _{RCV} , sets ac termination impedance.
RRCV	137 k Ω , 1%, 1/16 W	With R _{GP} and RT ₁ , sets receive gain.
RGP	30.1 k Ω , 1%, 1/16 W	With RT ₁ and R _{RCV} , sets ac termination impedance and receive gain.
RT2	80.6 k Ω , 1%, 1/16 W	With Rx, sets transmit gain in codec.
RX	158 k Ω , 1%, 1/16 W	With RT ₂ , sets transmit gain in codec.
RHB1	357 k Ω , 1%, 1/16 W	Sets hybrid balance.
C _{GS}	6.8 nF, 10%, 10 V	With R _{GS} , provides gain shaping for termination impedance matching.
R _{GS}	2.37 k Ω , 1%, 1/16 W	With C _{GS} , provides gain shaping for termination impedance matching.
R _{GP1}	8.06 k Ω , 1%, 1/16 W	Sets dc transmit gain of SLIC.
C _N	0.1 nF, 20%, 10 V	With R _{N1} and R _{N2} high frequency compensation.
R _{N1}	143 k Ω , 1%, 1/16 W	With C _N and R _{N2} high frequency compensation.
R _{N2}	18.2 k Ω , 1%, 1/16 W	With R _{N1} and C _N high frequency compensation.
Supervision		
RLCTH	22.1 k Ω , 1%, 1/16 W	Sets loop closure (off-hook) threshold.
RTS1	402 Ω , 5%, 2 W	Ringing source series resistor.
CRTS1	0.015 μ F, 20%, 10 V	With RTS _N , RTS _P , forms filter pole.
RTS _N	3.32 M Ω , 1%, 1/16 W	With RTS _P , sets threshold.
RTS _P	2.94 M Ω , 1%, 1/16 W	With CRTS1, RTS _N , sets threshold.

NOT RECOMMENDED FOR NEW DESIGNS

NOT RECOMMENDED FOR NEW DESIGNS

Applications (continued)

A basic loop start reference circuit, using bused ringing with the L9219 SLIC and the T8536 third-generation codec, is shown in Figure 12.



12-3561 (F).d

Figure 12. Basic Loop Start Application Circuit Using T8536-Type Codec

NOT RECOMMENDED FOR NEW DESIGNS

NOT RECOMMENDED FOR NEW DESIGNS

Applications (continued)

Table 11. Parts List for Loop Start Application Circuit Using T8536-Type Codec

Name	Value	Function
Integrated Circuits		
SLIC	L9219	Subscriber loop interface circuit (SLIC).
Protector	Legerity L7591	Secondary protection.
Ringing Relay	Legerity L7581/2/3 or EMR	Switches ringing signals.
Codec	T8536	Third-generation codec.
Overtoltage Protection		
RPT	50 Ω, Fusible	Protection resistor.
RPR	50 Ω, Fusible	Protection resistor.
Power Supply		
CBAT1	0.1 μF, 20%, 100 V	V _{BAT} filter capacitor.
CCC	0.1 μF, 20%, 10 V	V _{CC} filter capacitor.
CF1	0.47 μF, 20%, 100 V	With CF2, improves idle-channel noise.
CF2	0.1 μF, 20%, 100 V	With CF1, improves idle-channel noise.
dc Characteristics		
RPROG	35.7 kΩ, 1%, 1/16 W	Set low current limit.
ac Characteristics		
CB1	0.1 μF, 20%, 10 V	ac/dc separation capacitor.
CB	0.1 μF, 20%, 10 V	dc blocking capacitor.
RGP1	8.06 kΩ, 1%, 1/16 W	Sets dc transmit gain of SLIC.
RCIN	20 MΩ, 5%, 1/16 W	dc bias.
Supervision		
RLCTH	22.1 kΩ, 1%, 1/16 W	Sets loop closure (off-hook) threshold.
RTS1	510 Ω, 5%, 2 W	Ringing source series resistor.
CRTS1	0.015 μF, 20%, 10 V	With RTSN and RTSP, forms second 2 Hz filter pole.
RTSN	3.4 MΩ, 1%, 1/16 W	With RTSP, sets threshold.
RTSP	2.94 MΩ, 1%, 1/16 W	With RTSN, sets threshold.

NOT RECOMMENDED FOR NEW DESIGNS

NOT RECOMMENDED FOR NEW DESIGNS

Applications (continued)

dc Applications

Battery Feed

The dc feed characteristic can be described by:

$$V_{T/R} = \frac{(|V_{BAT}| - V_{OH}) \times R_L}{R_L + 2R_P + R_{dc}}$$

$$I_L = \frac{|V_{BAT}| - V_{OH}}{R_L + 2R_P + R_{dc}}$$

where:

I_L = dc loop current.

$V_{T/R}$ = dc loop voltage.

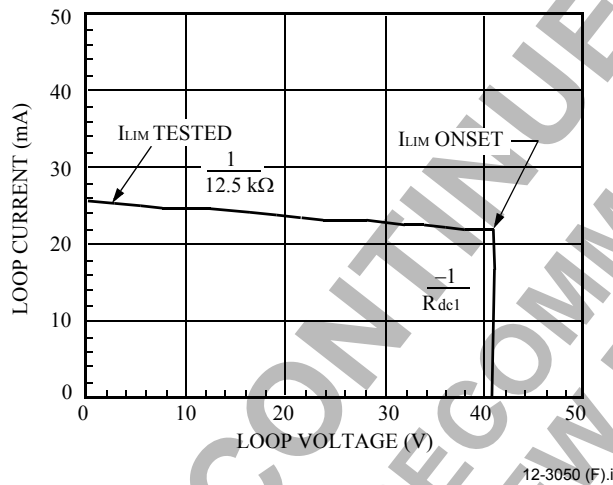
$|V_{BAT}|$ = battery voltage magnitude.

V_{OH} = overhead voltage. This is the difference between the battery voltage and the open loop tip/ring voltage.

R_L = loop resistance, not including protection resistors.

R_P = protection resistor value.

R_{dc} = SLIC internal dc feed resistance.



Notes:

$V_{BAT} = -48\ V$.

$I_{LIM} = 22\ mA$.

$R_{dc1} = 80\ \Omega$.

Figure 13. Loop Current vs. Loop Voltage

Starting from the on-hook condition and going through to a short circuit, the curve passes through the following two regions:

Region 1: On-hook and low loop currents. The slope corresponds to the dc resistance of the SLIC, R_{dc1} (default is $70\ \Omega$ typical). The open circuit voltage is the battery voltage minus the overhead voltage of the device, V_{OH} (default is $6.5\ V$ typical). These values are suitable for most applications, but can be adjusted if needed. For more information, see the sections entitled Adjusting dc Feed Resistance and Adjusting Overhead Voltage.

Region 2: Current limit. The dc current is limited to a starting value determined by external resistor R_{PROG} , the logic table, an internal current source, and the gain from tip/ring to pin V_{ITR} .

Current Limit

With the logic inputs set to 11 (a low current limit active state), current limit with a $100\ \Omega$ load is given by the following:

$$0.637 R_{PROG} (k\Omega) + 2\ mA = I_{LIM} \times (mA)$$

Via the logic table, the current limit can be increased a nominal 42% from the value set by the R_{PROG} resistor. The relationship between low current limit and high current limit is as follows:

$$\frac{I_{LIMIT(Low)}}{I_{LIMIT(High)}} = 0.7$$

Overhead Voltage

In order to drive an on-hook ac signal, the SLIC must set up the tip and ring voltage to a value less than the battery voltage. The amount that the open loop voltage is decreased relative to the battery is referred to as the overhead voltage and is expressed as the following equation:

$$V_{OH} = |V_{BAT}| - (V_{PT} - V_{PR})$$

Without this buffer voltage, amplifier saturation will occur and the signal will be clipped. The L9219 is automatically set at the factory to allow undistorted on-hook transmission of a $3.14\ dBm$ signal into a $900\ \Omega$ loop impedance.

Applications (continued)

dc Applications (continued)

Rate of Battery Reversal

The rate of battery reversal is controlled or ramped by capacitors FB1 and FB2. A chart showing FB1/FB2 values versus typical ramp rate is given below. Leave FB1/FB2 open if it is not desired to ramp the rate of battery reversal.

Table 12. FB1/FB2 Values vs. Typical Ramp Time

C _{FB1} /C _{FB2}	Transition Time	C _{FB1} /C _{FB2}	Transition Time
0.01 μF	20 ms	1.22 μF	2.25 s
0.1 μF	220 ms	1.3 μF	2.5 s
0.22 μF	440 ms	1.4 μF	2.7 s
0.47 μF	900 ms	1.6 μF	3.2 s
1.0 μF	1.8 s		

Loop Range

The equation below can be rearranged to provide the loop range for a required loop current:

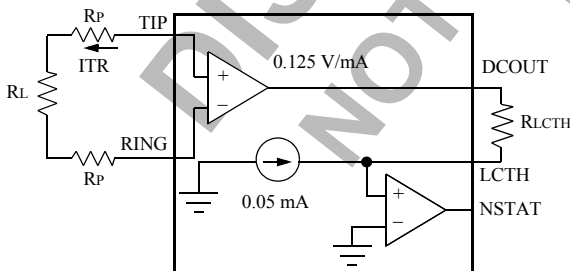
$$R_L = \frac{|V_{BAT}| - V_{OH}}{I_L} - 2R_P - R_{DC}$$

Off-Hook Detection

The loop closure comparator has built-in longitudinal rejection, eliminating the need for an external 60 Hz filter. The loop closure detection threshold is set by resistor R_{LCTH}. The supervision output bit (NSTAT) is high in an on-hook condition. The off-hook comparator goes low during an off-hook condition:

$$I_{TR} \text{ (mA)} = 0.4167 R_{LCTH} \text{ (k}\Omega) - 1.9 \text{ mA ACTIVE off-hook to on-hook}$$

$$I_{TR} \text{ (mA)} = 0.4167 R_{LCTH} \text{ (k}\Omega) + 2.7 \text{ mA SCAN on-hook to off-hook}$$

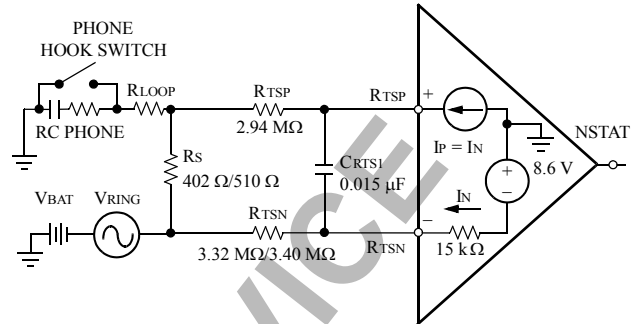


12-2553 (F).f

Figure 14. Off-Hook Detection Circuit

Ring Trip Detection

The ring trip circuit is a comparator that has a special input section optimized for this application. The equivalent circuit is shown in Figure 15, along with its use in an application using unbalanced, battery-backed ringing.



2799 (F)

Figure 15. Ring Trip Equivalent Circuit and Equivalent Application

Ring trip detection threshold is given by the following equation:

$$I_{TH} \text{ (mA)} =$$

$$\frac{[R_{TSN}(\text{M}\Omega) + 0.015 - R_{TSP}(\text{M}\Omega)] \times [V_{BAT} - 8.6] \times 1000}{[R_{TSN}(\text{M}\Omega) + 0.015] \times R_s}$$

The ring trip detector requires bias at either the RTSN or RTSP input. This bias is typically derived from the presence of the actual ring generator or the dc battery backing of the ring generator. If no bias is present at RTSN or RTSP the ring trip detector will indicate an off-hook condition, regardless of the state of the subscriber loop. The ring trip detector is active only during forward and reverse battery active states, so this condition will not be seen if the SLIC is in scan or disconnect modes.

If for some reason there are periods of time when the ring generator is not active, this false loop closure indication can be avoided by using an 18 MΩ pull-down from the talk battery to RTSP.

NOT RECOMMENDED FOR NEW DESIGNS

NOT RECOMMENDED FOR NEW DESIGNS

Applications (continued)

Longitudinal Balance

The SLIC is graded to certain longitudinal balance specifications. The numbers are guaranteed by testing (Figure 5 and Figure 8). However, for specific applications, the longitudinal balance may also be determined by termination impedance, protection resistance, and especially by the mismatch between protection resistors at tip and ring. This can be illustrated by the following equation:

$$LB = 20 \times \log \frac{(368 + RP) \times (368 + ZT - RP)}{368 \times (2 \times [ZT - 2 \times RP] \times \Delta + \epsilon)}$$

where:

LB: longitudinal balance

RP: protection resistor value in Ω

ZT: magnitude of the termination impedance in Ω

ϵ : protection resistor mismatch in Ω

Δ : SLIC internal tip/ring sensing mismatch

The Δ can be calculated using the above equation with these exceptions: $\epsilon = 0$, $ZT = 600 \Omega$, $RP = 100 \Omega$, and the longitudinal balance specification on a specific code.

Now with Δ available, the equation will predict the actual longitudinal balance for RP, ZT, and ϵ .

Be aware that ZT may vary with frequency for complex impedance applications.

NOT RECOMMENDED FOR NEW DESIGNS NOT RECOMMENDED FOR NEW DESIGNS

DISCONTINUED DEVICE
NOT RECOMMENDED FOR
NEW DESIGNS

NOT RECOMMENDED FOR NEW DESIGNS NOT RECOMMENDED FOR NEW DESIGNS

Applications (continued)

ac Design

Codec Types

At this point in the design, the codec needs to be selected. The interface network between the SLIC and codec can then be designed. There are four key ac design parameters. Termination impedance is the impedance looking into the 2-wire port of the line card. It is set to match the impedance of the telephone loop in order to minimize echo return to the telephone set. Transmit gain is measured from the 2-wire port to the PCM highway, while receive gain is done from the PCM highway to the transmit port. Finally, the hybrid balance network cancels the unwanted amount of the receive signal that appears at the transmit port.

Below is a brief codec feature summary.

First-Generation Codecs. These perform the basic filtering, A/D (transmit), D/A (receive), and μ -law/A-law companding. They all have an op amp in front of the A/D converter for transmit gain setting and hybrid balance (cancellation at the summing node). Depending on the type, some have differential analog input stages, differential analog output stages, 5 V only or ± 5 V operation, and μ -law/A-law selectability. These are available in single and quad designs. This type of codec requires continuous time analog filtering via external resistor/capacitor networks to set the ac design parameters. An example of this type of codec is the Legerity T7504 quad 5 V only codec.

This type of codec tends to be the most economical in terms of piece part price, but tends to require more external components than a third-generation codec. Furthermore, ac parameters are fixed by the external R/C network, so software control of ac parameters is difficult.

Third-Generation Codecs. This class of devices includes all ac parameters set digitally under microprocessor control. Depending on the device, it may or may not have data control latches. Additional functionality sometimes offered includes tone plant generation and reception, TTX generation, test algorithms, and echo cancellation. Again, this type of codec may be 5 V only or ± 5 V operation, single quad or 16-channel, and μ -law/A-law or 16-bit linear coding selectable. Examples of this type of codec are the Legerity T8535/6 (5 V only, quad, standard features), T8533/4 (5 V only, quad with echo cancellation), and the T8531/36 (5 V only 16-channel with self-test).

ac Interface Network

The ac interface network between the L9219 and the codec will vary depending on the codec selected. With a first-generation codec, the interface between the L9219 and codec actually sets the ac parameters. With a third-generation codec, all ac parameters are set digitally, internal to the codec; thus, the interface between the L9219 and this type of codec is designed to avoid overload at the codec input in the transmit direction, and to optimize signal-to-noise ratio (S/N) in the receive direction.

Receive Interface

Because the design requirements are very different with a first- or third-generation codec, the L9219 is offered with two different receive gains. Each receive gain was chosen to optimize, in terms of external components required, the ac interface between the L9219 and codec.

With a first-generation codec, the termination impedance is set by providing gain shaping through a feedback network from the SLIC VITR output to the SLIC RCVN/RCVP inputs. The L9219 provides a transconductance from T/R to VITR in the transmit direction and a single ended to differential gain in the receive direction from either RCVN or RCVP to T/R. Assuming a short from VITR to RCVN or RCVP, the maximum impedance that is seen looking into the SLIC is the product of the SLIC transconductance times the SLIC receive gain, plus the protection resistors. The various specified termination impedance can range over the voice band as low as 300 Ω up to over 1000 Ω . Thus, if the SLIC gains are too low, it will be impossible to synthesize the higher termination impedances. Furthermore, the termination that is achieved will be far less than what is calculated by assuming a short for SLIC output to SLIC input. In the receive direction, in order to control echo, the gain is typically a loss, which requires a loss network at the SLIC RCVN/RCVP inputs, which will reduce the amount of gain that is available for termination impedance. For this reason a high-gain SLIC is required with a first-generation codec.

Applications (continued)

ac Design (continued)

Receive Interface (continued)

With a third-generation codec, the line card designer has different concerns. To design the ac interface, the designer must first decide upon all termination impedance, hybrid balances, and transmission level points (TLP) requirements that the line card must meet. In the transmit direction, the only concern is that the SLIC does not provide a signal that is too hot and overloads the codec input. Thus, for the highest TLP that is being designed to, given the SLIC gain, the designer, as a function of voice band frequency, must ensure that the codec is not overloaded. With a given TLP and a given SLIC gain, if the signal will cause a codec overload, the designer must insert some sort of loss, typically a resistor divider, between the SLIC output and codec input.

In the receive direction, the issue is to optimize S/N. Again, the designer must consider all the considered TLPs. The idea is, for all desired TLPs, to run the codec at or as close as possible to its maximum output signal, to optimize the S/N. Remember noise floor is constant, so the hotter the signal from the codec, the better the S/N. The problem is, if the codec is feeding a

high-gain SLIC, either an external resistor divider is needed to knock the gain down to meet the TLP requirements, or the codec is not operating near maximum signal levels, thus compromising the S/N.

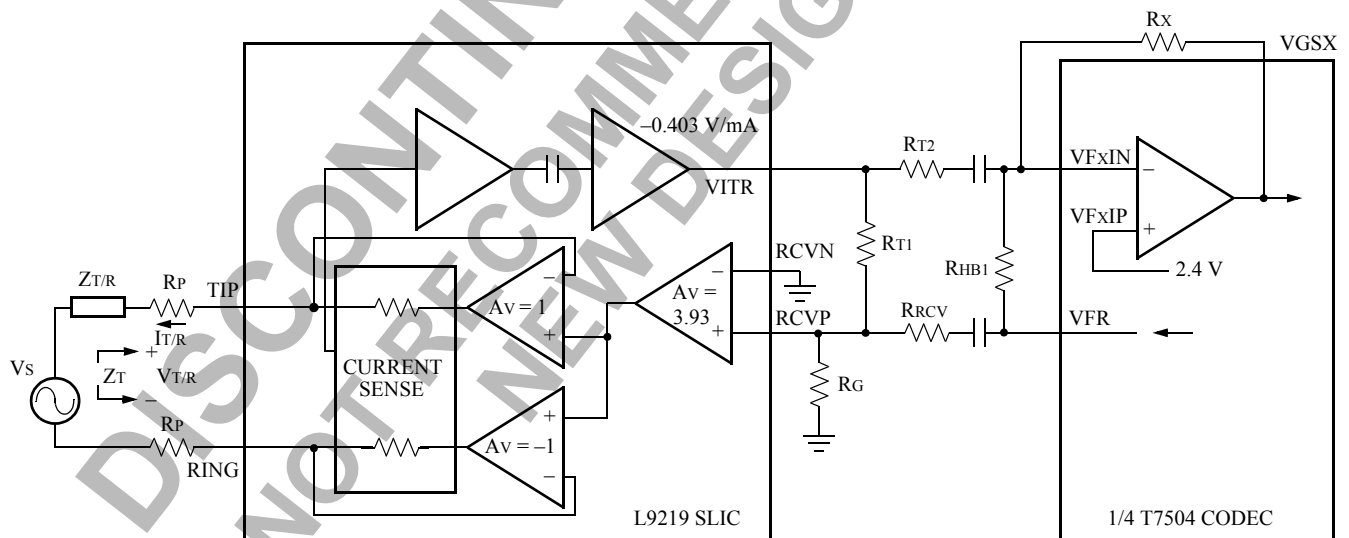
It appears the solution is to have a SLIC with a low gain, especially in the receive direction. This will allow the codec to operate near its maximum output signal (to optimize S/N), without an external resistor divider (to minimize cost).

Note also that some third-generation codecs require the designer to provide an inherent resistive termination via external networks. The codec will then provide gain shaping, as a function of frequency to meet the return loss requirements. Further stability issues may add external components or excessive ground plane requirements to the design.

To meet the unique requirements of both types of codecs, the L9219 offers two receive gain choices. These receive gains are mask-programmable at the factory and are offered as two different code variations. For interface with a first-generation codec, the L9219A is offered with a receive gain of 7.86. For interface with a third-generation codec, the L9219G is offered with a receive gain of 2. In either case, the transconductance in the transmit direction, or the transmit gain, is 403 Ω .

Example 1: Real Termination (First-Generation Codec)

ac equivalent circuits for real termination using a T7504 codec is shown in Figure 23.



12-3581 (F).c

Figure 16. ac Equivalent Circuit

NOT RECOMMENDED FOR NEW DESIGNS NOT RECOMMENDED FOR NEW DESIGNS

NOT RECOMMENDED FOR NEW DESIGNS NOT RECOMMENDED FOR NEW DESIGNS

Applications (continued)

ac Design (continued)

Example 1: Real Termination (First-Generation Codec) (continued)

The following design equations refer to the circuit in Figure 16. Use these to synthesize real termination impedance.

Termination Impedance:

$$Z_T = \frac{V_{T/R}}{-I_{T/R}}$$

$$Z_T = 2R_P + \frac{3168}{1 + \frac{R_{T3}}{R_{GP}} + \frac{R_{T3}}{R_{RCV}}}$$

Receive Gain:

$$g_{rcv} = \frac{V_{T/R}}{V_{fr}}$$

$$g_{rcv} = \frac{7.86}{\left(1 + \frac{R_{RCV}}{R_{T3}} + \frac{R_{RCV}}{R_{GP}}\right) \left(1 + \frac{Z_T}{Z_{T/R}}\right)}$$

Transmit Gain:

$$g_{tx} = \frac{V_{GSX}}{V_{T/R}}$$

$$g_{tx} = \frac{R_X}{R_{T6}} \times \frac{403}{Z_T}$$

Hybrid Balance:

$$h_{bal} = 20 \log \frac{V_{GSX}}{V_{T/R}}$$

To optimize the hybrid balance, the sum of the currents at the VFX input of the codec op amp should be set to 0. The following expressions assume the test network is the same as the termination impedance:

$$R_{HB} = \frac{R_X}{g_{tx} \times g_{rcv}}$$

$$h_{bal} = 20 \log \left(\frac{R_X}{R_{HB}} - g_{tx} \times g_{rcv} \right)$$

NOT RECOMMENDED FOR NEW DESIGNS

NOT RECOMMENDED FOR NEW DESIGNS

Applications (continued)

ac Design (continued)

Example 2: Complex Termination (First-Generation Codec)

Below are design equations for complex termination (see Figure 17 and Figure 18).

$$Z_T = R_{T1} + R_{T2} \parallel C_T$$

$$R_{T1} = 2R_P + \frac{7.86}{201.2} \cdot \left(\frac{1}{1 + \frac{R_{T3}}{R_{GP}} + \frac{R_{T3}}{R_{RCV}}} - \frac{1}{1 + \frac{R_{N1}}{R_{N2}}} \right) R_{TGP} \parallel R_{TGS}$$

$$R_{T2} = \frac{7.86}{201.2} \cdot \left(\frac{R_{TGP}/R_{TGS}}{1 + \frac{R_{T3}}{R_{GP}} + \frac{R_{T3}}{R_{RCV}}} + \frac{1}{1 + \frac{R_{N1}}{R_{N2}}} \right) R_{TGP} \parallel R_{TGS}$$

$$\frac{1}{C_T} = \frac{7.86}{201.2} \left(\frac{1}{C_{N1}(R_{N1} + R_{N2})^2} R_{TGP} \parallel R_{TGS} + \frac{1}{C_{TG}} \cdot \left(\frac{R_{TGP}}{R_{TGP} + R_{TGS}} \right)^2 \cdot \left(\frac{1}{1 + \frac{R_{T3}}{R_{GP}} + \frac{R_{T3}}{R_{RCV}}} - \frac{1}{1 + \frac{R_{N1}}{R_{N2}}} \right) \right)$$

$$g_{tx} = \frac{R_X}{R_{T6}} \cdot \frac{1}{201.2} \cdot \frac{Z_{TG}}{Z_T}$$

$$g_{rcv} = \frac{7.86}{1 + \frac{R_{RCV}}{R_{T3}} + \frac{R_{RCV}}{R_{GP}}} \times \frac{1}{1 + \frac{Z_T}{Z_{T/R}}}$$

$$h_{bal} = 20 \log \left(\frac{R_X}{R_{HB}} - g_{tx} \times g_{rcv} \right)$$

where:

$$Z_{T/R} = R_1 + R_2 \parallel C$$

$$Z_{TG} = R_{TGP} \parallel (R_{TGS} + C_G)$$

$$R_{TGP} = 8.06 \text{ k}\Omega$$

$$R_{TGS} = \frac{R_1}{R_2} R_{TGP}$$

$$C_G = \frac{R_2^2}{R_{TGP}(R_1 + R_2)} \times C$$

and

$$C_{NRN2} = \frac{2R_P}{3038} C_G R_{TGP}$$

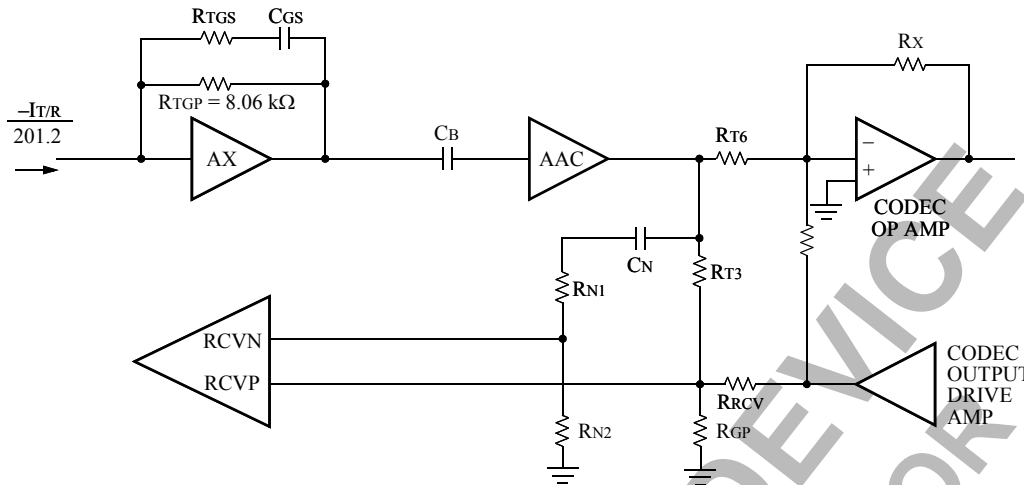
$$R_{N1} = R_{N2} \left[\frac{3038(R_{TGS})}{2R_P(R_{TGP})} - 1 \right]$$

The equations above do not include the blocking capacitors.

Applications (continued)

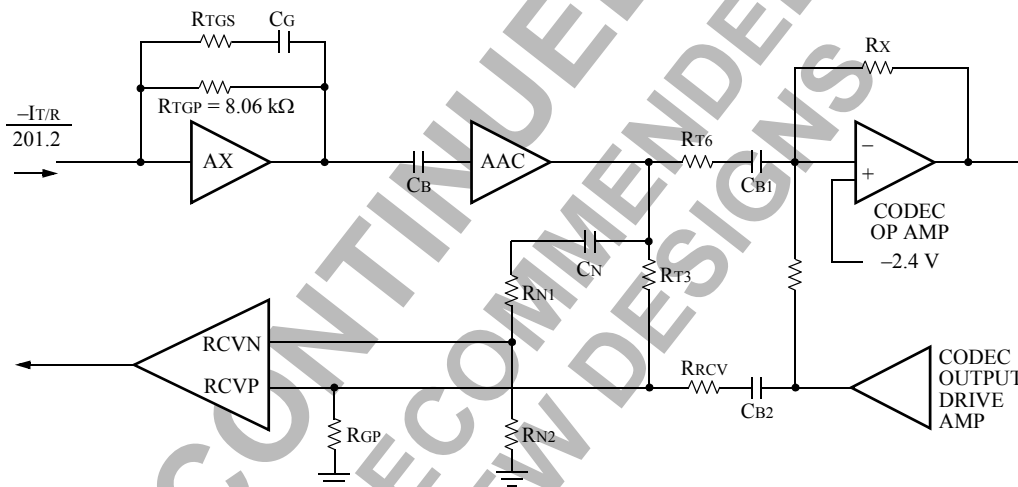
ac Design (continued)

Example 2: Complex Termination (First-Generation Codec) (continued)



5-6401 (F).j

Figure 17. Interface Circuit Using First-Generation Codec ($\pm 5\text{ V}$ Battery)



5-6400 (F).n

Figure 18. Interface Circuit Using First-Generation Codec (5 V Only Codec)

NOT RECOMMENDED FOR NEW DESIGNS

NOT RECOMMENDED FOR NEW DESIGNS

Applications (continued)

Power Derating

Operating temperature range, maximum current limit, maximum battery voltage, minimum dc loop, and protection resistor values will influence the overall thermal performance. This section shows the relevant design equations and considerations in evaluating the SLIC thermal performance.

Consider the L9219 SLIC in a 28-pin PLCC package. The still-air thermal resistance on a 2 layer board is 43 °C/W.

The SLIC will enter the thermal shutdown state at minimally 150 °C. The thermal shutdown design should ensure that the SLIC temperature does not reach 150 °C under normal operating conditions.

Assume a maximum ambient operating temperature of 85 °C, a maximum current limit of 25 mA (including tolerance), and a maximum battery of -52 V. Furthermore, assume a (worst case) minimum dc loop of 200 Ω, and that 50 Ω protection resistors are used at both tip and ring.

1. $T_{TSD} - T_{AMBIENT(max)} =$ allowed thermal rise.
 $150\text{ °C} - 85\text{ °C} = 65\text{ °C}$
2. Allowed thermal rise = package thermal impedance • SLIC power dissipation.
 $65\text{ °C} = 43\text{ °C/W} \cdot \text{SLIC power dissipation}$
SLIC power dissipation (P_{DISS}) = 1.51 W

Thus, if the total power dissipated in the SLIC is less than 1.51 W, it will not enter the thermal shutdown state. Total SLIC power is calculated as:

$$\text{Total } P_{DISS} = \text{Maximum battery} \cdot \text{Maximum current limit (including effects of accuracy)} + \text{SLIC quiescent power.}$$

For the L9219, SLIC quiescent power (P_Q) is maximum at 0.158 W. Thus,

$$\begin{aligned} \text{Total } P_{DISS} &= (-52\text{ V} \cdot [25\text{ mA} \cdot 1.05]) + 0.158\text{ W} \\ \text{Total } P_{DISS} &= 1.365\text{ W} + 0.158\text{ W} \\ \text{Total } P_{DISS} &= 1.523\text{ W} \end{aligned}$$

The power dissipated in the SLIC is the total power dissipation minus the power that is dissipated in the loop.

$$\begin{aligned} \text{SLIC } P_{DISS} &= \text{Total power} - \text{Loop power} \\ \text{Loop power} &= (I_{LIM})^2 \cdot (R_{dcLOOP\ min} + 2R_P) \end{aligned}$$

$$\text{Loop power} = (25\text{ mA} \cdot 1.05)^2 \cdot (200\ \Omega + 100\ \Omega)$$

$$\text{Loop power} = 0.207\text{ W}$$

$$\text{SLIC power} = 1.523\text{ W} - 0.207\text{ W} = 1.28$$

$$\text{SLIC power} = 1.28\text{ W} < 1.51\text{ W}$$

Thus, in this example, the thermal design ensures that the SLIC will not enter the thermal shutdown state.

Pin-for-Pin Compatibility with L9217/L9218

The L9219 is an exact pin-for-pin replacement for the L9217/18. The one minor exception is L9219 has three logic control inputs: B0, B1, and B2. The L9218 has only two logic control inputs, B0 and B1. Pin 13 in L9218 is NC, so a connection between the controller and pin 13 will not affect L9218 operation. This allows an exact footprint match with L9219.

PCB Layout Information

Make the leads to BGND and V_{BAT} as wide as possible for thermal and electrical reasons. Also, maximize the amount of PCB copper in the area of (and specifically on) the leads connected to this device for the lowest operating temperature.

When powering the device, ensure that no external potential creates a voltage on any pin of the device that exceeds the device ratings. In this application, some of the conditions that cause such potentials during powerup are the following:

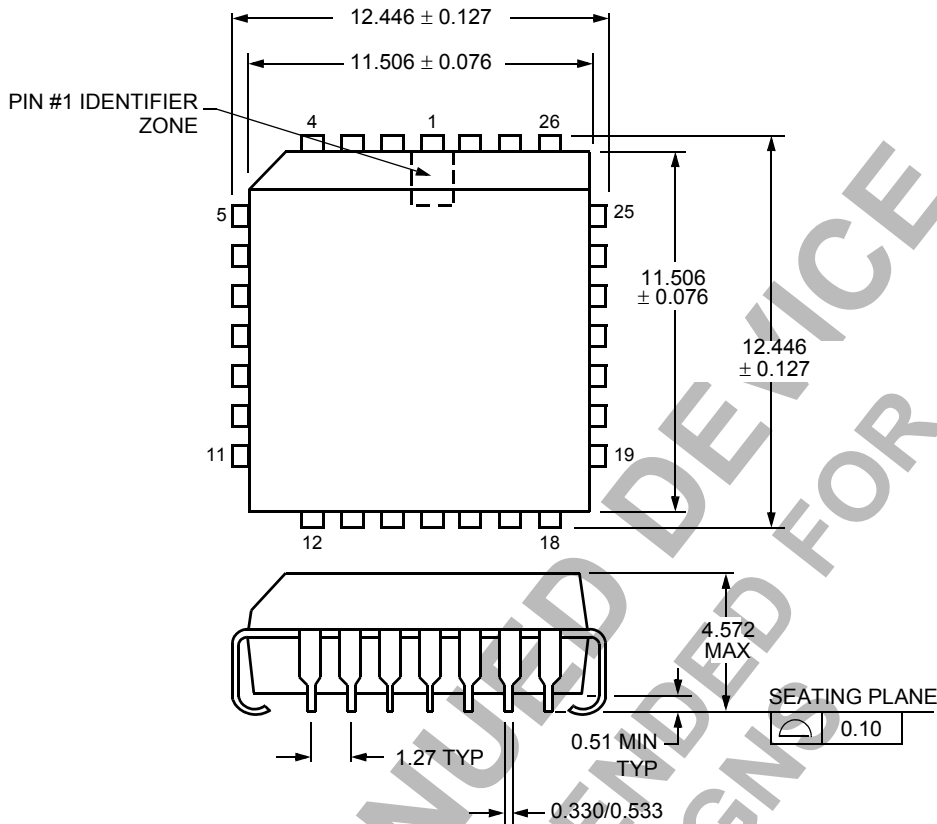
1. An inductor connected to PT and PR (this can force an overvoltage on V_{BAT} through the protection devices if the V_{BAT} connection chatters).
2. Inductance in the V_{BAT} lead (this could resonate with the V_{BAT} filter capacitor to cause a destructive overvoltage).

This device is normally used on a circuit card that is subjected to hot plug-in, meaning the card is plugged into a biased backplane connector. In order to prevent damage to the IC, all ground connections must be applied before, and removed after, all other connections.

Outline Diagram

28-Pin PLCC

Dimensions are in millimeters.



5-2506 (F)r.8

NOT RECOMMENDED FOR NEW DESIGNS NOT RECOMMENDED FOR NEW DESIGNS

NOT RECOMMENDED FOR NEW DESIGNS NOT RECOMMENDED FOR NEW DESIGNS

Ordering Information

Device	Package	Comcode
LUCL9219AAR-D	28-Pin PLCC (Dry Bag) Gain of 12	108558867
LUCL9219AAR-DT	28-Pin PLCC (Tape and Reel, Dry Bag) Gain of 12	108558875
LUCL9219GAR-D	28-Pin PLCC (Dry Bag) Gain of 2	108558800
LUCL9219GAR-DT	28-Pin PLCC (Tape and Reel, Dry Bag) Gain of 2	108558818

NOT RECOMMENDED FOR NEW DESIGNS NOT RECOMMENDED FOR NEW DESIGNS

DISCONTINUED DEVICE
NOT RECOMMENDED FOR
NEW DESIGNS

NOT RECOMMENDED FOR NEW DESIGNS NOT RECOMMENDED FOR NEW DESIGNS

NOT RECOMMENDED FOR NEW DESIGNS NOT RECOMMENDED FOR NEW DESIGNS

NOT RECOMMENDED FOR NEW DESIGNS NOT RECOMMENDED FOR NEW DESIGNS

DISCONTINUED DEVICE
NOT RECOMMENDED FOR
NEW DESIGNS

IEEE is a registered trademark of The Institute of Electrical and Electronics Engineers, Inc.
HP is a registered trademark of Hewlett-Packard Company.

Legerity, Inc. reserves the right to make changes to the product(s) or information contained herein without notice. No liability is assumed as a result of their use or application.